

Campsite Food Storage Locker

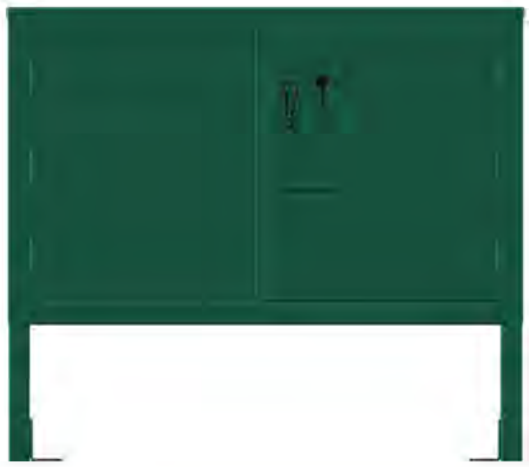
Heavy duty **30** cubic foot storage locker designed for safe, secure & convenient storage in outdoor parks & recreation areas. Designed to easily fit two large coolers with extra room for dry goods. Includes double doors with two safety release paddle latch systems, cover & locking hasps. Components, layout & access are ADA compliant, easy & safe to operate.

Optional Features Include:

- 1. Latch Hook & Cable Package**
- 2. Divider Panel (two 15 CU FT Compartments)**
- 3. Fixed Shelf with 10" of Vertical Space**
- 4. Mount Post(s) for 36" Deep Ground Anchor**

Made in America with heavy duty components, hinges and high quality 14-gauge steel for main body/shelves & 12-gauge steel for the top. Mounting foot plates included for secure ground anchors.

Vibrant finish using industry leading UV and corrosion resistant, weather proof powder coat offered in the standard colors shown below or any custom blend.



FRONT VIEW



RIGHT VIEW



ISOMETRIC VIEW

FOREST GREEN



BLUE

GRAY

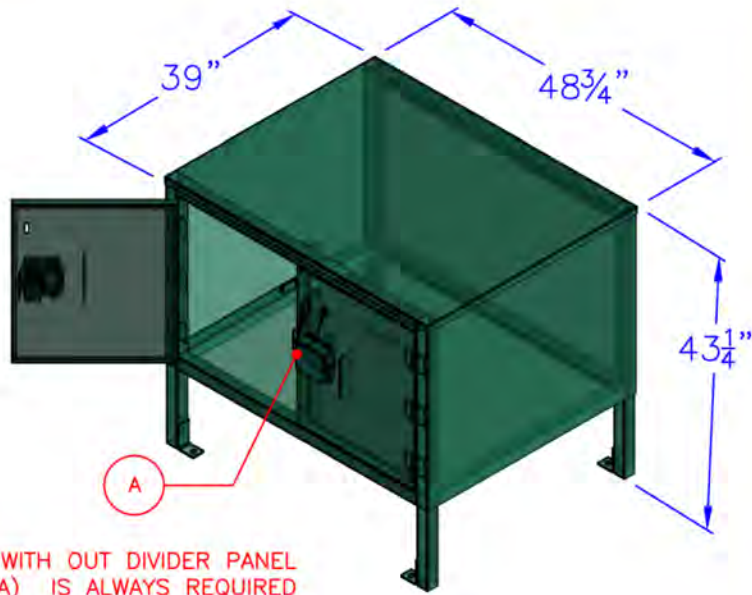
BURGUNDY

TAN

WHITE

BROWN

ISOMETRIC VIEW

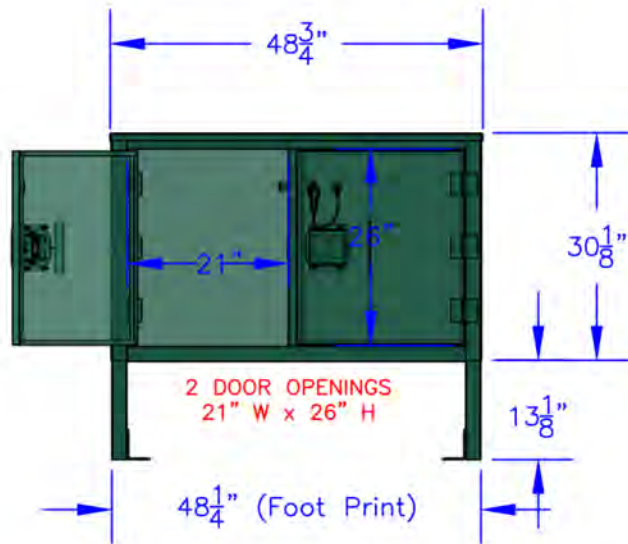


NOTE: SHOWN WITH OUT DIVIDER PANEL
FRONT POST (A) IS ALWAYS REQUIRED

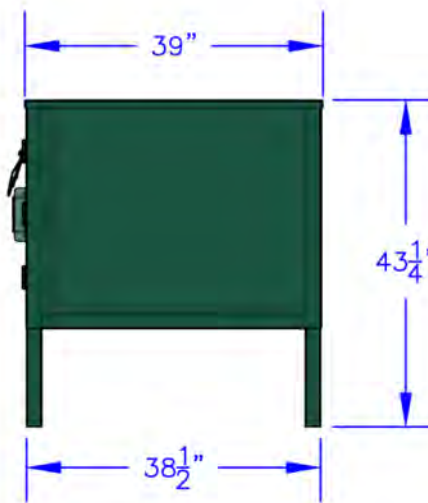
30 Cubic Foot Campsite Food Storage Locker Double

Fabrication Specifications

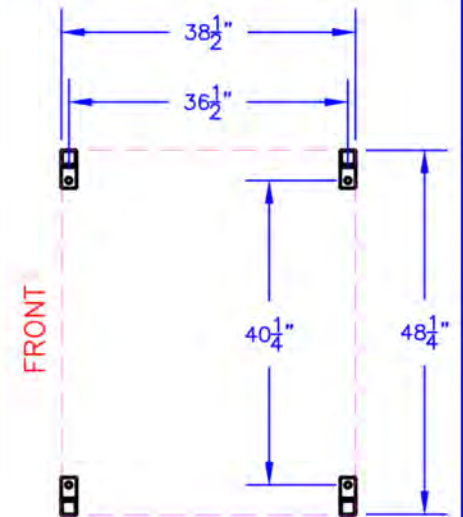
DIMENSIONS	48 ³ / ₄ " Width x 39" Depth x 43 ¹ / ₄ " Height
INTERIOR SPACE	30 Cubic Feet (Approximate)
WEIGHT	318 Lbs. (Approximate - with Hardware)
FRAME	14 GA HR Steel 2" x 2" Square Tube
BODY & SHELVES	14 GA HR Steel
DOOR(S)	14 GA HR Steel
TOP	12 GA HR Steel
CATCHES & HASPS	10 GA HR Steel
HINGES	¹ / ₄ " PLATE



FRONT VIEW



RIGHT VIEW



MOUNTING SPECS



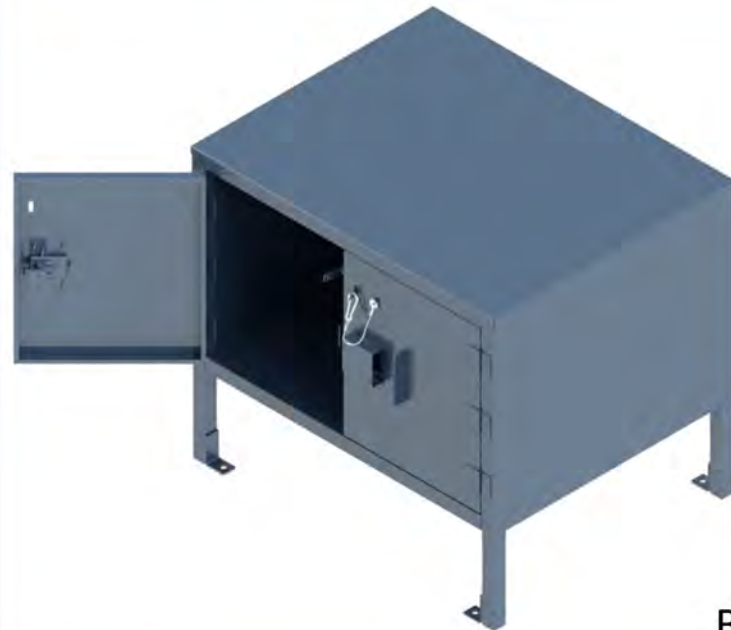
FOREST GREEN



GRAY



BROWN



BLUE

